

INSTALLATION MANUAL



Installation Manual for Network Units M-WRG-S 485

M-WRG-S 485	Part-Nr.: 5003
M-WRG-S 485/BM	Part-Nr.: 5003-5
M-WRG-S 485-TF	Part-Nr.: 5004-1
M-WRG-S 485-TF/BM	Part-Nr.: 5004-1-5
M-WRG-S 485-TFC	Part-Nr.: 5004-2
M-WRG-S 485-TFC/BM	Part-Nr.: 5004-2-5

Part-Nr.: 5301-10-01 06/2011



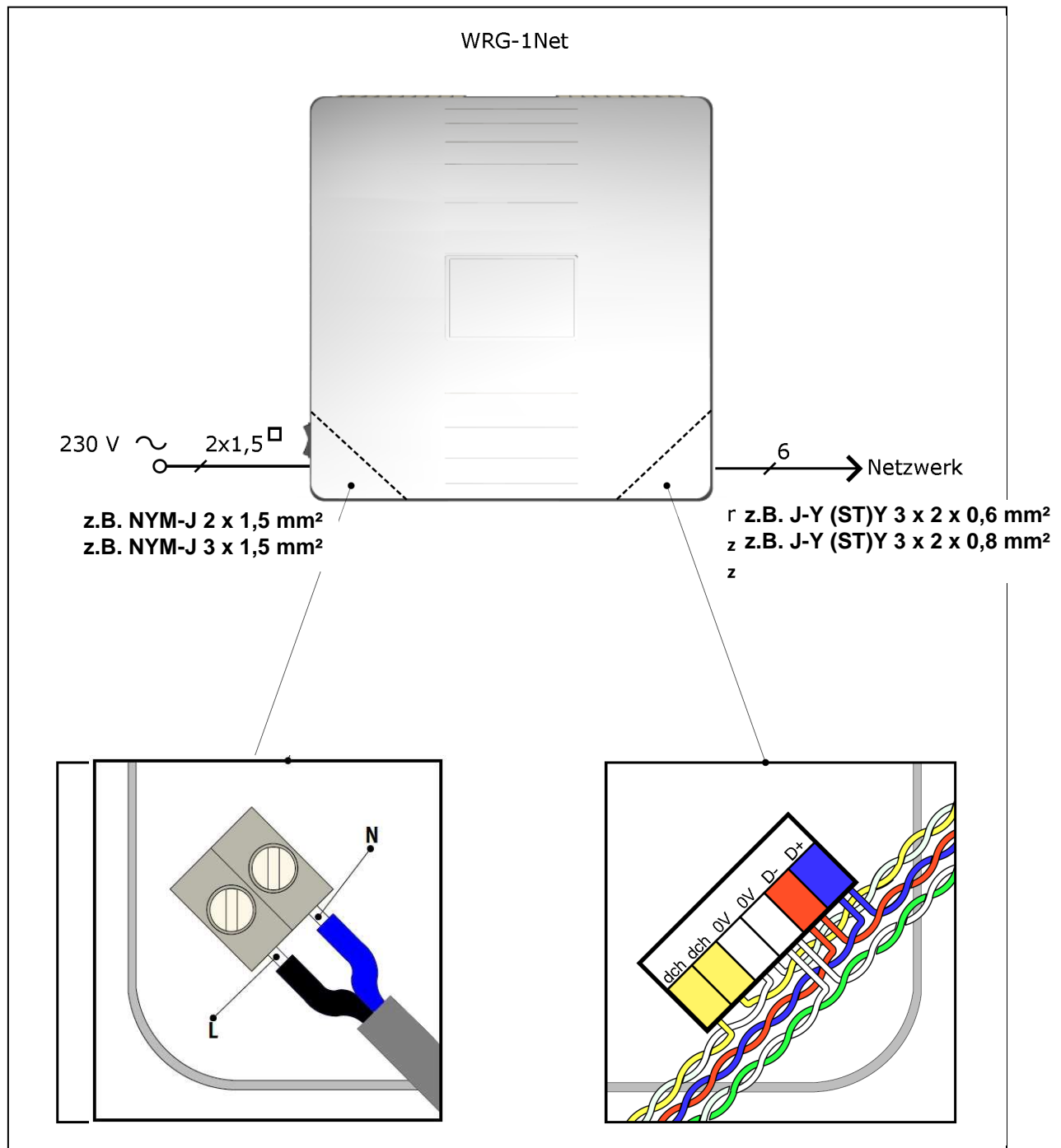
Table of Contents

1	Overview	3
1.1	Electrical wiring of ventilation units	4
1.2	Wiring diagram for multiple floors.....	5
1.3	Interface M-WRG-SUM-3	6
2	Plug & Play Network iSAnet	7
3	Preconditions for SW installation and activation of network.....	8



1 Overview

This document describes the installation and wiring of the iSAnet RS-485 network. The ventilation units have first to be installed according to the Installation Manual M-WRG-S/K (Part.-Nr. 5300-10-01).



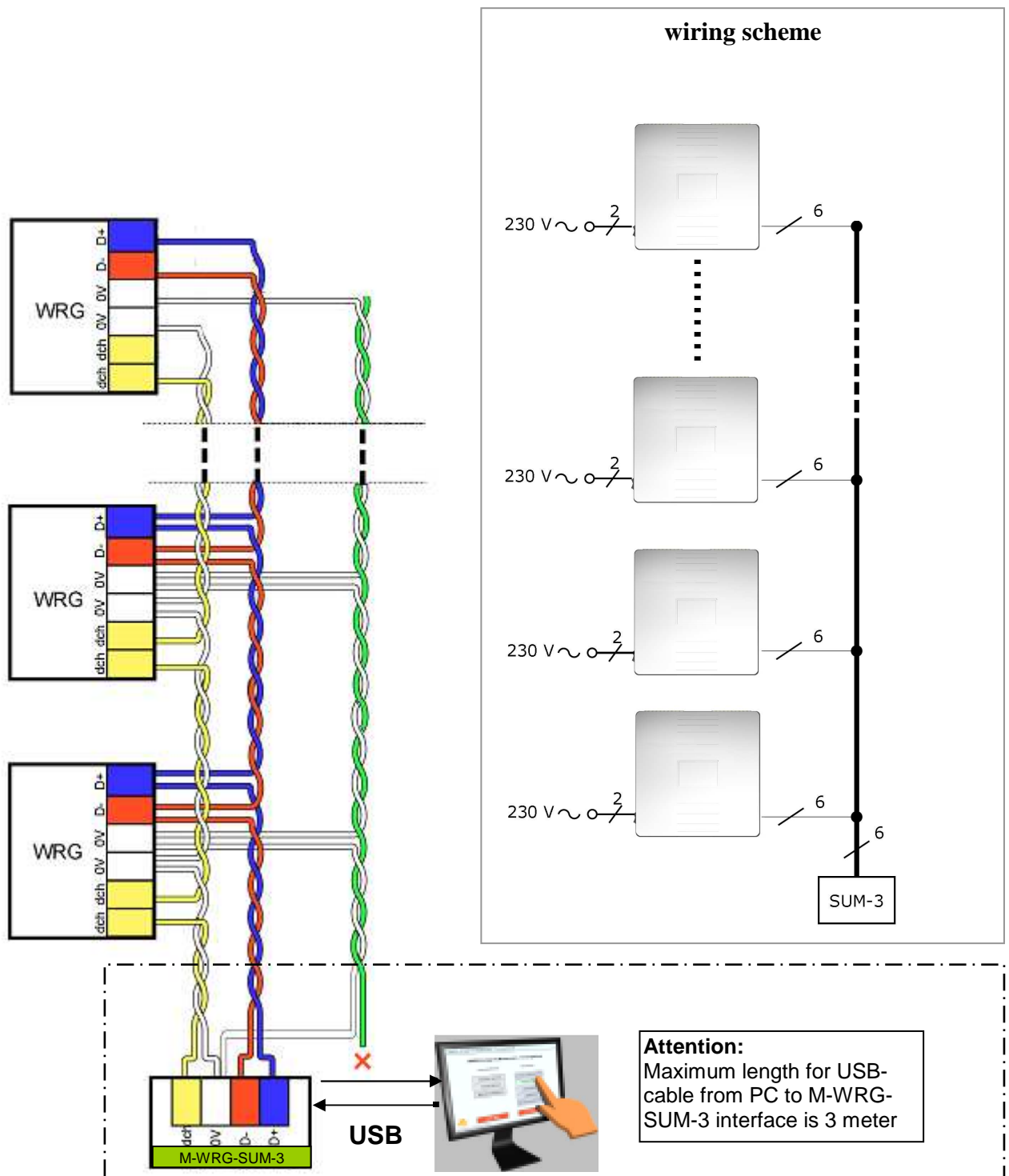
1.1 Electrical wiring of ventilation units

The ventilation units are connected to the network cable via a 6-pin clamp terminal.

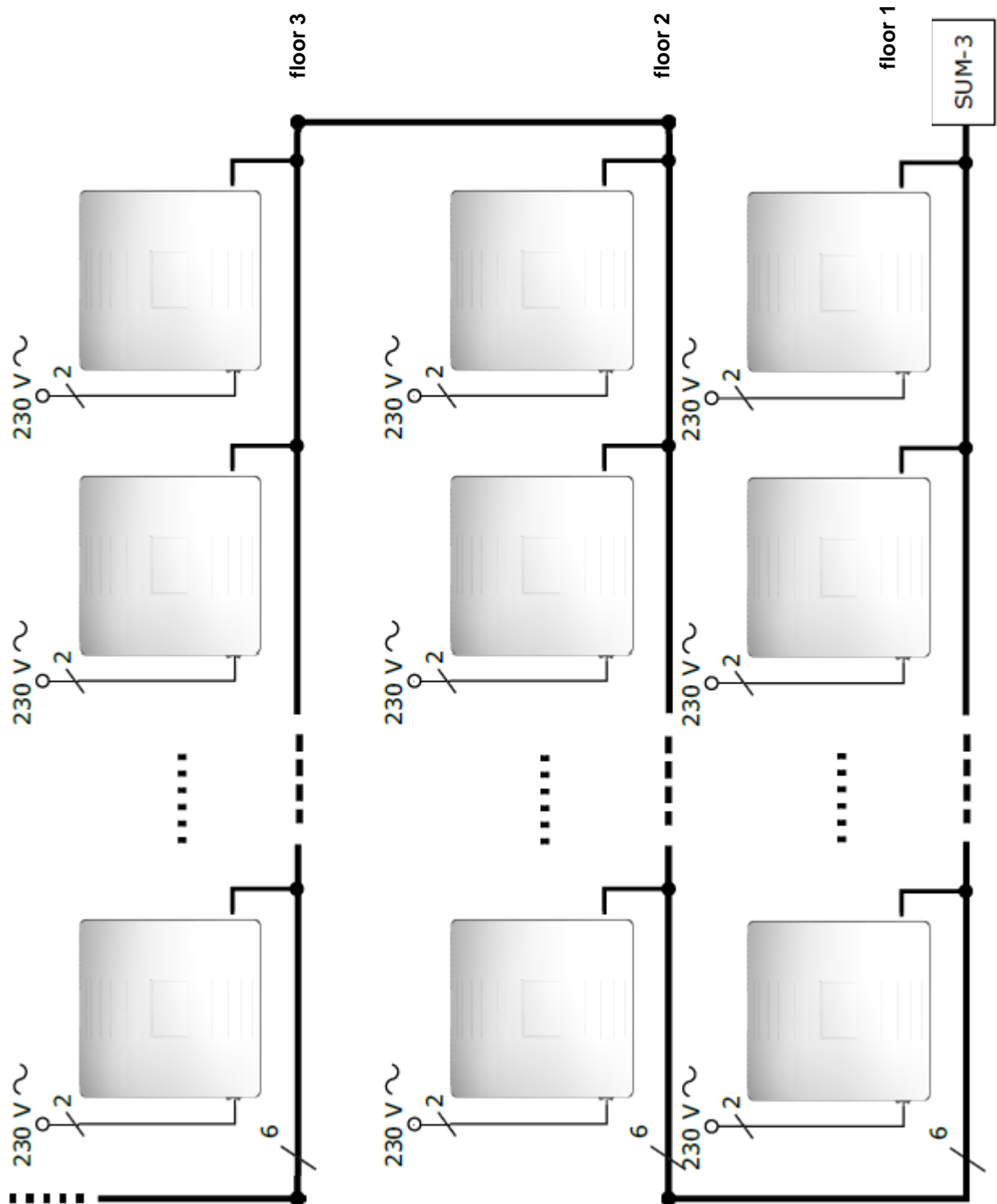
Recommended cable types are

J – Y (St) Y 3 x 2 x 0,6 or J – Y (St) Y 3 x 2 x 0,8.

A maximum of 250 ventilation units can be connected to one RS 485 network.

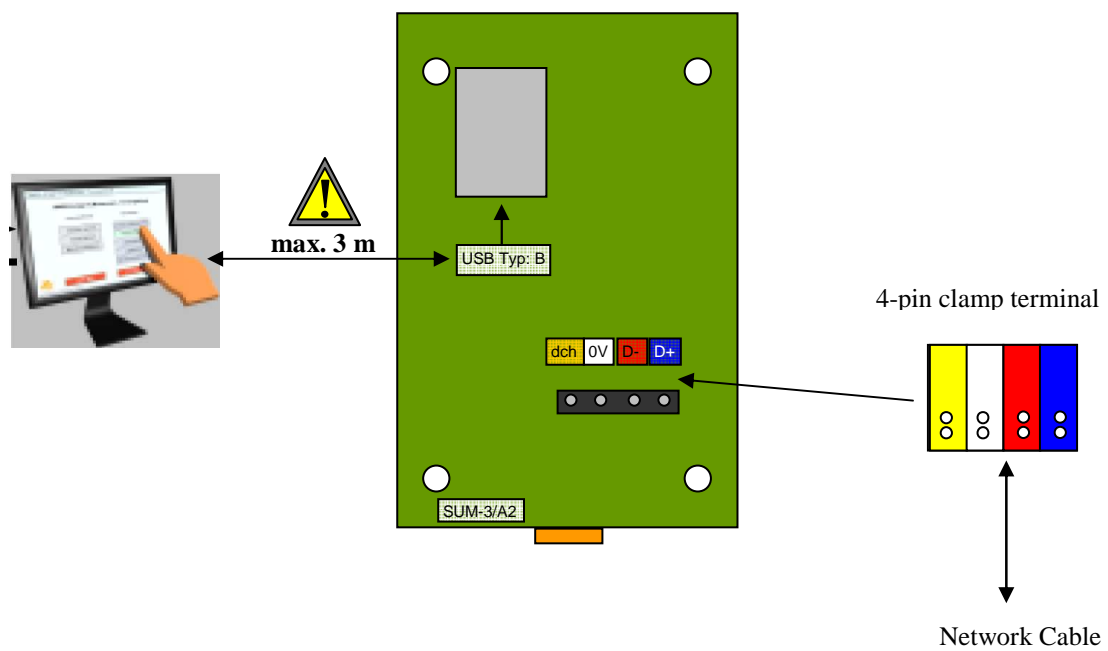


1.2 Wiring diagram for multiple floors



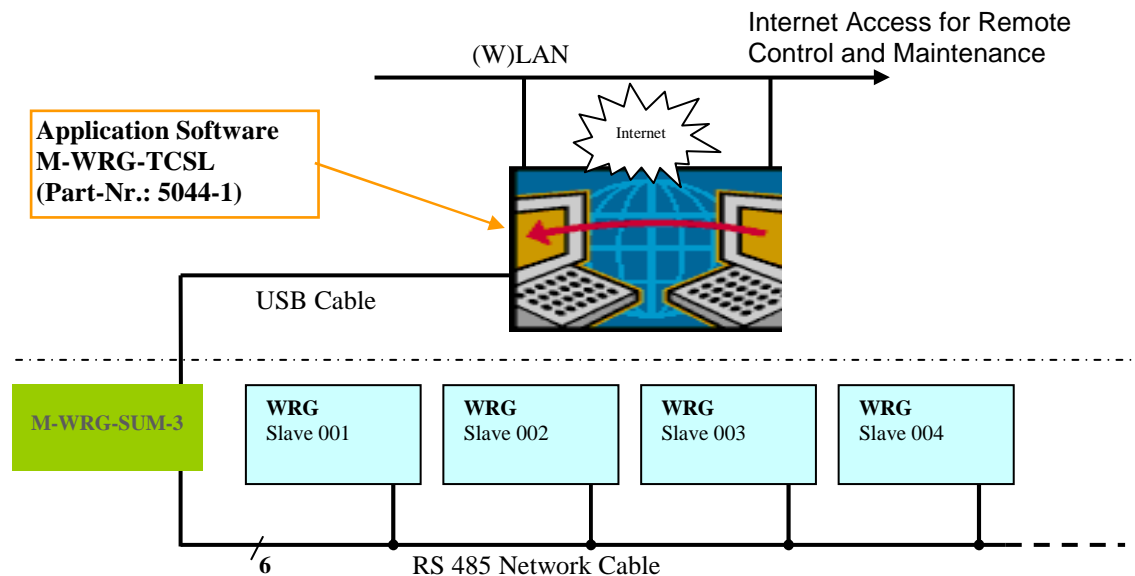
1.3 Interface M-WRG-SUM-3

The Interface M-WRG-SUM3 (Part-Nr.: 5040-03) connects the RS485 network to a PC. It converts the RS485 electrical signals to USB level.



2 Plug & Play Network iSAnet

To operate the ventilation units over the iSAnet (RS 485 protocol network) a touch screen PC and the Touch Control Software M-WRG-TCTCSL (Part-Nr. 5044-1) from Meltem are required.



After installation and wiring of the ventilation units, an individual address has to be assigned to each unit. This address is then used by the Touch Control Software to control the units.

The iSAtech-Manager-Software should be used for an automatic assignment of these addresses and for initial testing of the (correct installation) of the ventilation units and the network (plug&play).

The network and the individual ventilation units are controlled by the application software Touch Control M-WRG-TCSL (Part-Nr.: 5044-1). These SW also allows a remote control of the network via internet, including remote maintenance and data logging.



3 Preconditions for SW installation and activation of network

To operate the ventilation units over the RS 485 network a touch screen PC and the Touch Control Software M-WRG-TCTCSL (Part-Nr. 5044-1) from Meltem are required. The **M-WRG-TCINST installation package** (Part-Nr. 5044-3) includes software installation and putting the network into operation.

For a successful SW installation and activation of network the following preconditions are mandatory:

- a) Correct installation of all ventilation units as described in the installation manuals, incl. connection to 230V AC (with NYM-J 2 x 1,5 mm² or NYM-J 3 x 1,5 mm² cable) The installation manuals can be downloaded from the Meltem homepage www.meltem.com
- b) Correct wiring of the network (clamping of ventilation units and marking) using a network cable (cable type J – Y (St) Y 3 x 2 x 0,6 mm² or J – Y (St) Y 3 x 2 x 0,8 mm²) as described in this manual.
- c) For the TouchScreen PC a 230V AC outlet is required. For internet access a WLAN or LAN connection is required.
- d) For installation of the SUM-3 a distribution box (min. 40 x 60 x 100mm) is required. Maximum allowable distance from PC to M-WRG-SUM-3 interface is 3 meter

Attention: Any additional work (like error searching or troubleshooting due to wrong wiring or clamping, missing or not labeled cables or connections, cleaning of units due to excessive dust, ect.) is not part of the M-WRG-TCINST installation package and will be billed separately.

**Please clarify all open questions in due time with our
Technical Support. Phone: +49(0)08141-404179-0**

