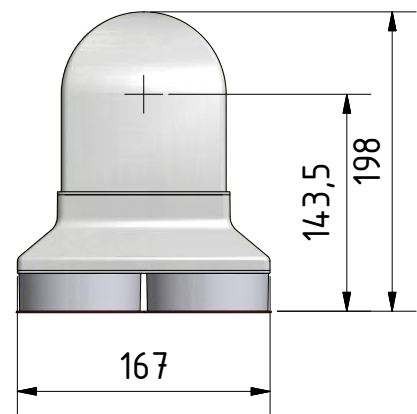
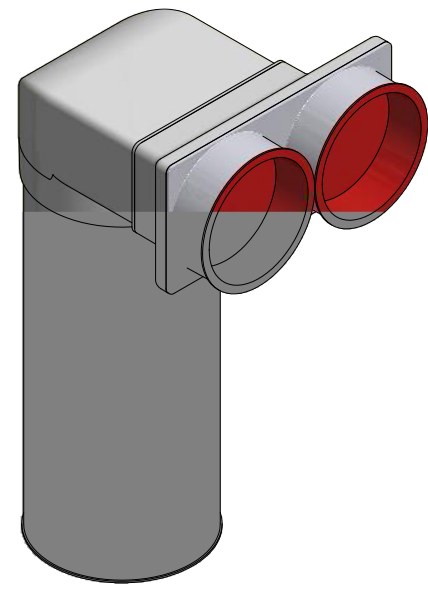



(1 : 5)



| | | | | | | | |
|--------|------------|-------|------|---|--|--------|--|
| | | | | | | | |
| | | | | DATUM | | Name | |
| | | | | Gezeichnet 24.10.2013 | | matcor | |
| | | | | Kontrolliert | | | |
| | | | | Norm | | | |
| | | | |  | | | |
| | | | | | | | |
| | | | | M-WRG-DK 2x75/100 | | | |
| | | | | 5056-10/75 | | | |
| | | | | 1 | | | |
| | | | | A4 | | | |
| Status | Änderungen | DATUM | Name | | | | |