



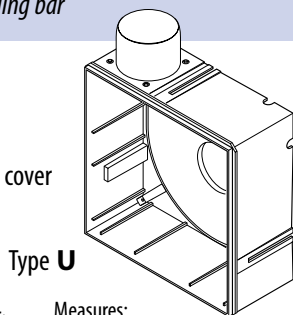
The Vario series – ventilation devices of the top class. Whether the air exhaustion is directed upwards or downwards, or it has the double direction valve, the Vario concealed covers are designed for various employments.

VPE 1 / Concealed housing VARIO

The employment area: Buildings *without special fire protection requirement* or together with diff. ceiling bar

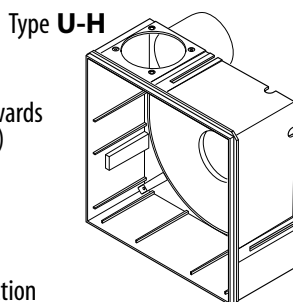
Type U for bathrooms, toilets and kitchens

- Plastic housing with cleaning safety cover
- Metal connection sockets DN75
- Two-piece backflow valve
- Wall and ceiling mounting, air exhaustion upwards, to the right, left
- General building control permission: Z-51.1-70/71
- Built-in depth only 104mm
- **New:** Air exhaustion directed backwards (type U-H permission: Z-51.1-72/73)



Type U

Measures:
233 x 233 x 104 mm



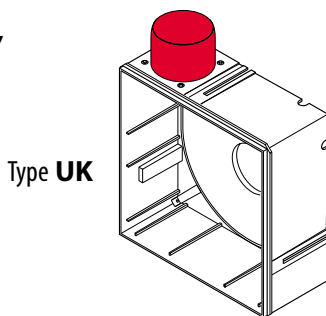
Type U-H

Order-Nr.	Type	Model
4000	U	Standard
4001	U-ZR	with double direction valve to the right DN75*
4002	U-ZL	with double direction valve to the left DN75*
4003	U-H	Air exhaustion directed backwards
4452	MB-V	Assembly stirrup incl. fastening set

The employment area: Buildings *with special fire protection requirements, except fire protection shafts (e.g. ceiling construction)*

Type UK for bathrooms, toilets and kitchens

- all features like type U as well as additional
- premium steel closing device does not need any maintenance
- Fire resistance class K90-18017



Type UK

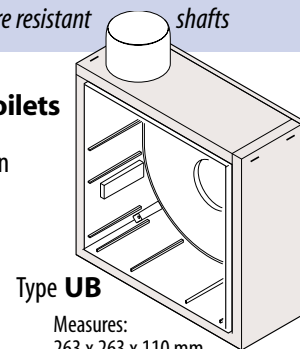
Measures:
233 x 233 x 104 mm

Order-Nr.	Type	Model
4010	UK	Standard
4011	UK-ZR	with double direction valve to the right DN75*
4012	UK-ZL	with double direction valve to the left DN75*
4013	UK-H	Air exhaustion directed backwards
4452	MB-V	Assembly stirrup incl. fastening set

The employment area: Buildings *with special fire protection requirements incl. and excluding fire resistant shafts*

Type UB for bathrooms/toilets

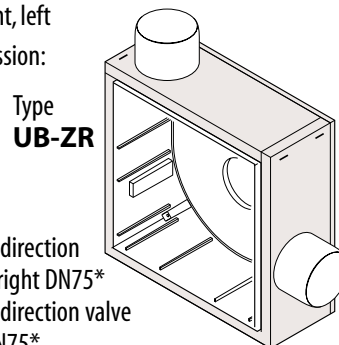
- Plastic housing with fire protection and cleaning protection cover
- Fire resistance class K90-18017
- Metal connection sockets DN75
- Two-part backflow valve
- Wall and ceiling mounting, air exhaustion upwards, to the right, left
- General building control permission: Z-51.1-70/71
- Built-in depth only 110 mm



Type UB

Measures:
263 x 263 x 110 mm

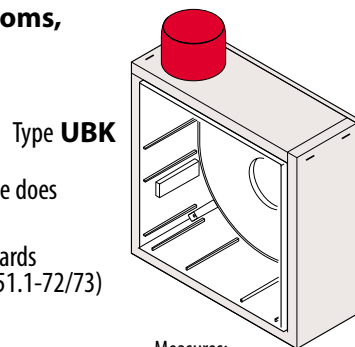
Order-Nr.	Type	Model
4020	UB	Standard
4021	UB-ZR	with double direction valve to the right DN75*
4022	UB-ZL	with double direction valve to the left DN75*
4452	MB-V	Assembly stirrup incl. fastening set



Type UB-ZR

Type UBK for bathrooms, toilets and kitchens

- all features like type UB as well as additional
- premium steel closing device does not need any maintenance
- **New:** Air exhaustion backwards (Type UBK-H Permission: Z-51.1-72/73)



Type UBK

Measures:
263 x 263 x 110 mm

Order-Nr.	Type	Model
4030	UBK	Standard
4031	UBK-ZR	with double direction valve to the right DN75*
4032	UBK-ZL	with double direction valve to the left DN75*
4033	UBK-H	Air exhaustion directed backwards
4452	MB-V	Assembly stirrup incl. fastening set

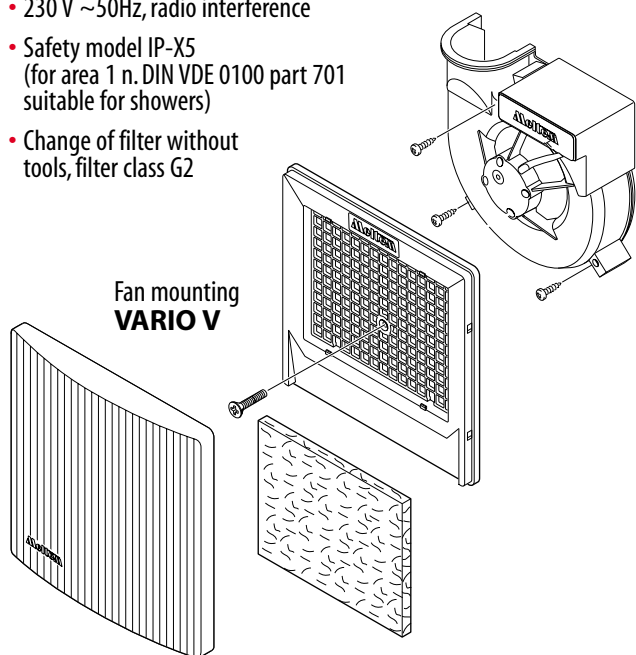
***Caution:** Only ventilation devices with 100m³ are to be used with double direction valve-equipped housings!



The ventilation devices Vario, with elegant ClassicLine design, are available in various performance levels and with various variants of controls.

VPE 2 / Ventilation devices VARIO V

- Ventilating device complete with filter holder, filter and sucking cover
- Colour : Pure white RAL 9010
- Energy saving, low noise-level and maintenance-free precise external-rotor engine with overcharge protection
- A steep performance-pressure curve (c.e. specifications), thanks to high performance radial gear with cast steel disc.
- Safety class II (safety conductor „PE“ is not needed)
- 230 V ~50Hz, radio interference
- Safety model IP-X5 (for area 1 n. DIN VDE 0100 part 701 suitable for showers)
- Change of filter without tools, filter class G2



The employment of ventilation devices VARIO V with one performance level

Order-Nr.	Type	Model
4110	V-60	Standard
4111	V-60-N	with slowing down control
4112	V-60-I	with interval control
4120	V-100	Standard
4121	V-100-N	with slowing down control
4122	V-100-I	with interval control

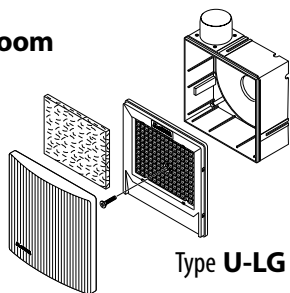
The employment of ventilation devices VARIO V with two performance levels

Order-Nr.	Type	Model
4130	V-40/60	Standard
4131	V-40/60-NZ	with slowing down control
4132	V-40/60-K	with comfort control
4133	V-40/60-KF	with comfort control + remote control access
4134	V-40/60-KZ	with comfort control + central control access
4135	V-40/60-F	with humidity control
4136	V-40/60-FF	with humidity control + remote control access
4140	V-40/100	Standard
4141	V-40/100-NZ	with slowing down control
4142	V-40/100-K	with comfort control
4143	V-40/100-KF	with comfort control + remote control access
4144	V-40/100-KZ	with comfort control + central control access
4145	V-40/100-F	with humidity control
4146	V-40/100-FF	with humidity control + remote control access

VARIO accessories

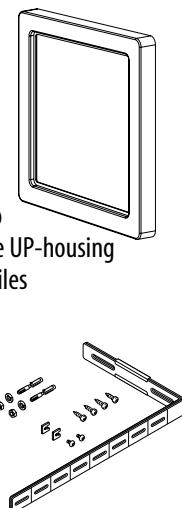
Air suck-off of the second room

Order-Nr.	Type	Model
4040	U-LG	UP-housing, plastic housing complete with inner façade tile such as U-LG,
4041	UK-LG	kitchen model (with fire protection valve)
4042	UB-LG	such as U-LG, with fire protection cover, for shaft making
4043	UBK-LG	such as U-LG, with fire protection covering, kitchen model
0057	AVR-75	air sucking valve with filter, built-in pipe DN75



Installation equipment

Order-Nr.	Type	Model
4520	BR-25	Mounting frame BR-25 with extended border to cover the cleft (for less than exact and to level out the heights, when the UP-housing protrudes from the plaster or tiles (levelling up to 15mm). Measures: 325 x325 x25mm
4452	MB-V	Universal-assembly stirrup (incl. fastening material) for all concealed housing of the Vario series



Specifications / Vario concealed devices

Standard devices (cover/fan mounting)	Air performance m^3/h	stat. press. difference (Pa)	acoust. perfor. level $L_w / dB(A)$	noise level* $L_p / dB(A)$	nominal current A	input power W	net power supply NYM-0
U (B,K)/V-60	61,9	237	40	36	0,14	21	2 x 1,5**
U (B,K)/V-100	100	94	49	45	0,17	36	2 x 1,5**
U (B,K)/V-40/60	42/61,9	237	37/40	33/36	0,12/0,14	15/21	3 x 1,5
U (B,K)/V-40/100	42/100	94	37/49	33/45	0,12/0,17	15/36	3 x 1,5

Devices with air exhaustion directed backwards

U (B,K)-H /V-60	63,8	220	43	39	0,14	21	2 x 1,5**
U (B,K)-H /V-100	98	72	52	48	0,17	36	2 x 1,5**
U (B,K)-H /V-40/60	42/63,8	220	39/43	35/39	0,12/0,14	15/21	3 x 1,5
U (B,K)-H /V-40/100	42/98	72	39/52	35/48	0,12/0,17	15/36	3 x 1,5

* according to DIN 18017 part 3 no.6.2.4 (footnote 3) concerning $AL=10m^2$ ** during exchange of the control devices, e.g. V-60-N net power supply NYM-0 3x15

Dimensioning of the discharge pipe

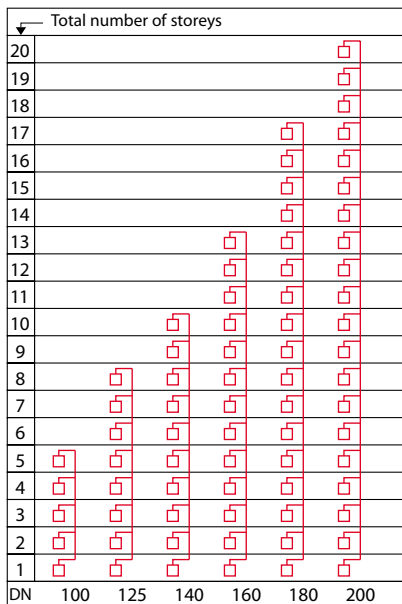
Pipe diameter at the simultaneity factor of 100%.

The diagrams represent the minimum nominal inside diameter of the pipe and are stated according to DIN 18017 – Part 3 issued on August 1990, on the basis of which a height of one storey of 2,75 m and a length of the riser pipes from the last fan connection of up to 2 m are set.

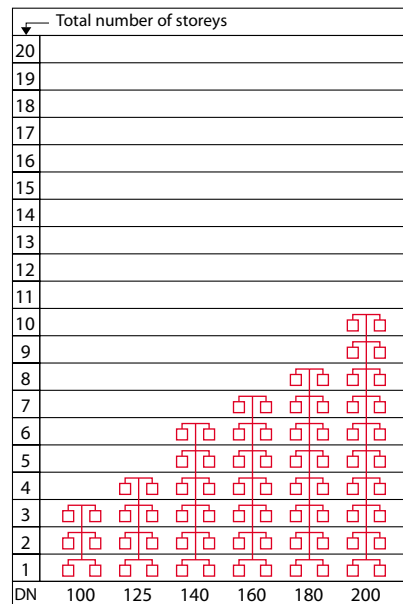
Caution:

When using different products, a subsequent calculation of ascending pipe line beneath the groundworks of the available pressure difference is absolutely necessary.

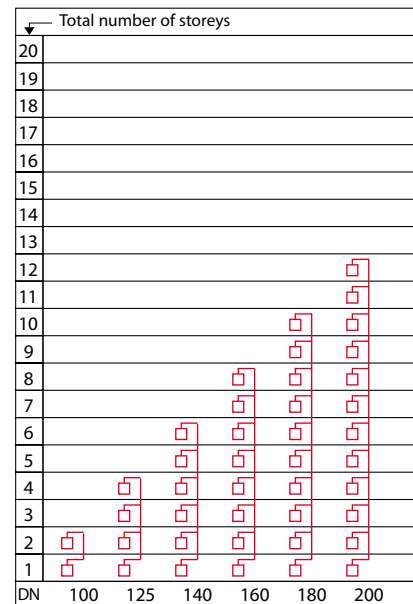
60 m³/h



60 m³/h



100 m³/h



More information concerning the dimensioning of the riser pipe, such as curve diagrams, are to be found in the corresponding technical data list, or at:
www.meltem.com

We will be glad to consult any difficulties via telephone, fax or email – your local representative

Meltem® www.meltem.com

LÜFTUNGSGERÄTE GmbH & Co. KG • Pfarrgasse 1 • D-82239 Alling
Tel. +49 (0)8141 3690-0 • Fax +49 (0)8141 3690-60 • info@meltem.com