

VARIO – Flat ventilation with a system to it

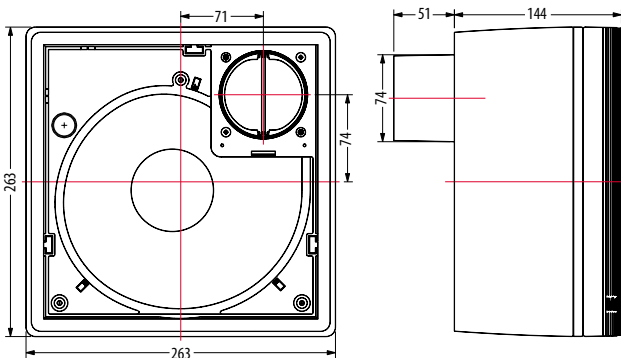
VARIO ClassicLine

... made in Germany

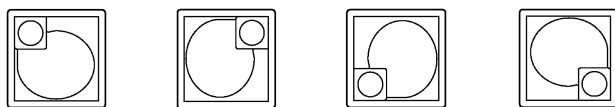
Wall devices



The VARIO devices – ideal for systematic ventilation of bathrooms, toilets and kitchens



Easier installation – any mounting position possible



The VARIO devices offer many advantages:

- several connections to one common delivery pipe
- fast installation system
- elegant form of the ClassicLine design
- closing device does not need any maintenance
- can be supplied with several air performance levels

The VARIO devices fulfill all requirements:

- the DIN 18017
- for low voltage (CE) according to EG guidelines (73/23/EWG)
- for electromagnetic compatibility (CE) according to EG guidelines (89/336/EWG)

Meltem[®]

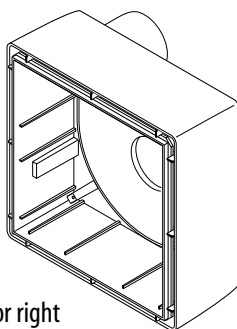


Vario A and AK – the top class devices – designed as the well-tested concealed generation. The innovative exhaust construction prevents reduction of the optimized performance.

VPE 1 / Exhaust cover VARIO

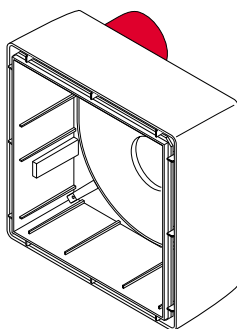
Type A [Order-Nr. 4050] for bathrooms and toilets

- Plastic cover consisting of two parts
- Colour of the cover: Pure white RAL9010
- Fire resistance class K90-18017
- Metal connection sockets DN75
- Two-part backflow valve
- Exhaustion direction arbitrary (upper left or right side/ below left or right side)
- General building control permission Z-51.1-72/73



Type AK [Order-Nr. 4051] for bathrooms, toilets and kitchens

- all features like type A
- **premium steel closing device does not need any maintenance**



- A steep performance-pressure curve (c.e. specifications), thanks to high performance radial gear with cast steel disc.
- Safety class II (safety conductor „PE“ is not needed)
- 230 V ~50Hz, radio interference
- Safety model IP-X5 (for area 1 n.DIN VDE0100 part 701 suitable for showers)
- Change of filter without tools, filter class G2

The employment of ventilation devices VARIO V with one performance level

Order-Nr.	Type	Model
4110	V-60	Standard
4111	V-60-N	with slowing down control
4112	V-60-I	with interval control
4120	V-100	Standard
4121	V-100-N	with slowing down control
4122	V-100-I	with interval control

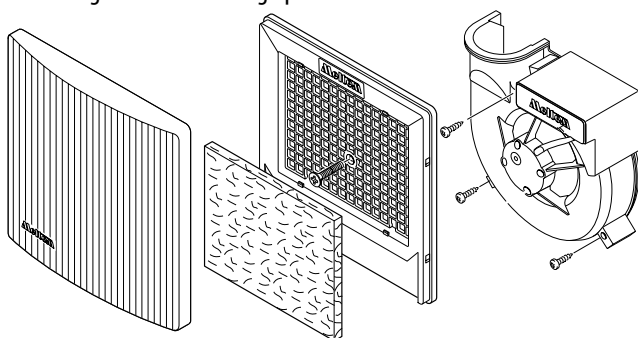
The employment of ventilation devices VARIO V with two performance levels

Order-Nr.	Type	Model
4130	V-40/60	Standard
4131	V-40/60-NZ	with slowing down control
4132	V-40/60-K	with comfort control
4133	V-40/60-KF	with comfort control + remote control access
4134	V-40/60-KZ	with comfort control + central control access
4135	V-40/60-F	with humidity control
4136	V-40/60-FF	with humidity control + remote control access
4140	V-40/100	Standard
4141	V-40/100-NZ	with slowing down control
4142	V-40/100-K	with comfort control
4143	V-40/100-KF	with comfort control + remote control access
4144	V-40/100-KZ	with comfort control + central control access
4145	V-40/100-F	with humidity control
4146	V-40/100-FF	with humidity control + remote control access

More information, such as the **dimensions of the discharge pipe** with phase and curve diagrams etc. are to be found in the corresponding technical specifications list or at: www.meltem.com

VPE 2 / Ventilation devices VARIO V

- Ventilating device complete with filter holder, filter and sucking cover
- Colour: Pure white RAL 9010
- Energy saving, low noise-level and maintenance-free precise external-rotor engine with overcharge protection



Specifications

Device (cover/fan mounting)	Air performance m ³ /h	stat. press. difference (Pa)	acoust. perfor. level L _w / dB(A)	noise level* L _p / dB(A)	nominal current A	input power W	net power supply NYM-0
A(K) / V-60	63,8	220	44	40	0,14	21	2 x 1,5**
A(K) / V-100	98	72	52	48	0,17	36	2 x 1,5**
A(K) / V-40/60	42 / 63,8	220	39 / 44	35 / 40	0,12 / 0,14	15 / 21	3 x 1,5
A(K) / V-40/100	42 / 98	72	39 / 52	35 / 48	0,12 / 0,17	15 / 36	3 x 1,5

* according to DIN 18017 part 3 no. 6.2.4 (footnote 3) concerning AL=10m³ ** during exchange of the control devices, e.g. V-60-N net power supply NYM-0 3x15

We will be glad to consult any difficulties via telephone, fax or email – your local representative

Meltem[®] www.meltem.com

LÜFTUNGSGERÄTE GmbH & Co. KG • Pfarrgasse 1 • D-82239 Alling
Tel. +49 (0)8141 3690-0 • Fax +49 (0)8141 3690-60 • info@meltem.com